

SMITH-COOPER®

I N T E R N A T I O N A L

CORPORATE OFFICE TEL (800) 766-0076 LOCAL (323) 890-4455 FAX (323) 890-4456
WWW.SMITHCOOPER.COM



Stainless Steel 150# Fittings
Threaded & Socket Weld

SMITH-COOPER®

INTERNATIONAL



150# Stainless Fittings

Specifications

- Stainless Castings conform to ASTM A351
- Stainless Wrought Fittings conform to ASTM A182, Barstock to ASTM A479
- Stainless Fitting Dimensions conform to MSS SP-114 (except Wall & Bands)
- NPT Threads conform to ASME B1.20.1
- Stainless Fittings have SCI Trademark
- Manufacturing Facility is ISO 9001:2000
- Independent lab verification that fittings meet applicable chemical & physical properties

SCI Quality Plus

- Quality control inspections both at the overseas factory and our US warehouses
- Company engineer available at your request
- \$10,000,000 product liability insurance
- Pro Pak System makes products easier to handle and warehouse
- Orders shipped within 24 hours
- Fax confirmation of every order
- Knowledgeable customer service personnel

Warranty and Limitations of Liability

SMITH-COOPER INTERNATIONAL (SCI) warrants to its initial purchaser only, that its products which are delivered to this initial purchaser will be of the kind described in the order or price list and will be free of defects in workmanship or material for a period of five years from the date of delivery to our initial purchaser.

Should any failure to conform to this warranty appear within five years after the date of the initial delivery to our initial purchaser, SCI will, upon written notification thereof and substantiation that the goods have been stored, installed, maintained and operated in accordance with recognized engineering and piping practices and industry standards, correct such defects by suitable repair or replacement (which alternative shall be at the discretion of SCI) of product at SCI's own expense upon return of the defective part to SCI.

In the event that SCI elects to replace the defective product, SCI shall pay up to \$50 per defective product for total cost of replacement. In the event of multiple claims, such payment shall be no greater than \$1,000 for each installation project.

This warranty applies only during normal use that meets the above referenced conditions of installation and operation and is absolutely void if the product has been damaged after purchase or if it has been misused, repaired, altered or modified in any manner whatsoever. SCI shall not warrant any of its products if any portion of the product including without limitation, any component, gasket, housing or bolt has been modified, altered, remanufactured or replaced in any manner by any customer, user of the product or third party.

Correction of non-conformities, in the manner and for the period of time provided above, shall constitute fulfillment of all liabilities of SCI to our initial purchaser, with respect to the goods, whether based on contract, negligence, strict tort, or otherwise. It is the intention of SCI that no warranty of any kind, whether expressed or implied shall pass through our initial purchaser to any other person or corporation.

No returns will be allowed unless prior written permission of SCI is first obtained. Buyers shall be responsible for all costs of transportation as well as a restocking charge.

This warranty is exclusively for the benefit of the initial purchaser of this product from SCI and, except to the extent prohibited by applicable law, the foregoing warranty is in lieu of all other warranties, express or implied, including but not limited to warranties of fitness or merchantability.

LIMITATIONS OF LIABILITY: SCI shall not under any circumstances be liable for special or consequential damages such as, but not limited to damage to loss of other property or equipment, loss of profits or revenue, cost of capital, cost of purchased or replacement goods, claims of customers of our initial purchaser, any labor cost for repair or replacement of the product or damage caused by the product.

The remedies of our initial purchaser, and all others, set forth herein are exclusive, and the liability of SCI with respect to same shall not, except as expressly provided herein, exceed the price of the SCI products on which such liability is based.



Stainless 150# Fittings Threaded

90° Elbow

Size	Dimensions (in)			Weight (lb)
	A	B	C	
1/8	0.81	-	-	0.140
1/4	0.81	-	-	0.110
3/8	0.93	-	-	0.190
1/2	1.12	-	-	0.360
3/4	1.31	-	-	0.560
1	1.50	-	-	0.930
1-1/4	1.75	-	-	1.060
1-1/2	1.93	-	-	1.730
2	2.25	-	-	2.350
2-1/2	2.68	-	-	4.380
3	3.06	-	-	6.380
4	3.81	-	-	10.30

90° Street Elbow

Size	Dimensions (in)			Weight (lb)
	A	B	C	
1/8	1.06	0.81	-	0.090
1/4	1.18	0.81	-	0.140
3/8	1.43	0.93	-	0.200
1/2	1.62	1.12	-	0.320
3/4	1.87	1.31	-	0.500
1	2.12	1.50	-	0.860
1-1/4	2.50	1.75	-	1.280
1-1/2	2.75	1.93	-	1.580
2	3.25	2.25	-	2.390
2-1/2	3.87	2.68	-	5.760
3	4.50	3.06	-	7.860
4	5.68	3.81	-	15.23

45° Elbow

Size	Dimensions (in)			Weight (lb)
	A	B	C	
1/8	0.69	-	-	0.120
1/4	0.69	-	-	0.090
3/8	0.81	-	-	0.120
1/2	0.87	-	-	0.310
3/4	1.00	-	-	0.560
1	1.12	-	-	0.770
1-1/4	1.31	-	-	1.120
1-1/2	1.43	-	-	1.560
2	1.68	-	-	2.060
2-1/2	1.93	-	-	3.800
3	2.18	-	-	5.870
4	2.62	-	-	9.540

Tee

Size	Dimensions (in)			Weight (lb)
	A	B	C	
1/8	0.69	-	-	0.200
1/4	0.69	-	-	0.140
3/8	0.81	-	-	0.260
1/2	0.87	-	-	0.530
3/4	1.00	-	-	0.740
1	1.12	-	-	1.230
1-1/4	1.31	-	-	2.030
1-1/2	1.43	-	-	2.180
2	1.68	-	-	3.480
2-1/2	1.93	-	-	5.910
3	2.18	-	-	9.370
4	2.62	-	-	16.01

Cross

Size	Dimensions (in)			Weight (lb)
	A	B	C	
1/8	0.69	-	-	0.370
1/4	0.69	-	-	0.310
3/8	0.81	-	-	0.490
1/2	0.87	-	-	0.850
3/4	1.00	-	-	1.190
1	1.12	-	-	1.490
1-1/4	1.31	-	-	2.030
1-1/2	1.43	-	-	2.970
2	1.68	-	-	4.310
2-1/2	1.93	-	-	7.550
3	2.18	-	-	9.810
4	2.62	-	-	17.80

Union


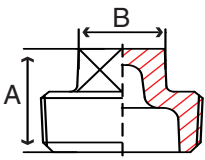
Size	Dimensions (in)			Weight (lb)
	A	B	C	
1/8	1.26	0.93	-	0.240
1/4	1.44	1.10	-	0.210
3/8	1.61	1.26	-	0.280
1/2	1.72	1.45	-	0.410
3/4	1.95	1.71	-	0.620
1	2.06	2.07	-	0.820
1-1/4	2.26	2.50	-	1.580
1-1/2	2.41	2.82	-	2.070
2	2.75	3.41	-	3.000
2-1/2	3.22	4.12	-	6.820
3	3.50	4.75	-	11.04
4	3.85	6.00	-	17.00

All Dimensions are to the MSS Standard




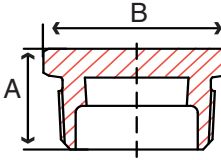
Stainless 150# Fittings Threaded

Square Head Plug


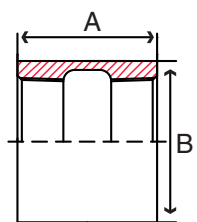
Size	Dimensions (in)			Weight (lb)
	A	B	C	
1/8	0.61	9/32	-	0.020
1/4	0.72	3/8	-	0.030
3/8	0.79	7/16	-	0.060
1/2	0.94	9/16	-	0.110
3/4	1.07	5/8	-	0.240
1	1.25	13/16	-	0.370
1-1/4	1.36	15/16	-	0.670
1-1/2	1.45	1-1/8	-	0.880
2	1.56	1-5/16	-	1.110
2-1/2	1.81	1-1/2	-	1.580
3	1.93	1-11/16	-	2.400
4	2.22	2-1/4	-	5.000

Hex Head Plug


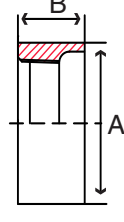
Size	Dimensions (in)			Weight (lb)
	A	B	C	
1/8	0.51	0.50	-	0.030
1/4	0.58	0.62	-	0.050
3/8	0.64	0.68	-	0.090
1/2	0.75	0.87	-	0.150
3/4	0.85	1.20	-	0.260
1	1.00	1.43	-	0.470
1-1/4	1.08	1.76	-	0.930
1-1/2	1.14	2.00	-	1.240
2	1.22	2.48	-	2.260
2-1/2	1.44	2.98	-	2.580
3	1.53	3.86	-	3.610
4	1.72	4.62	-	7.200

Full Coupling


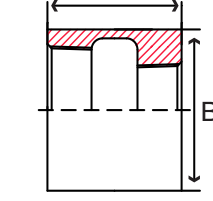
Size	Dimensions (in)			Weight (lb)
	A	B	C	
1/8	0.75	1.00	-	0.050
1/4	0.84	1.00	-	0.080
3/8	1.01	1.12	-	0.100
1/2	1.20	1.38	-	0.170
3/4	1.46	1.50	-	0.260
1	1.77	1.62	-	0.410
1-1/4	2.15	2.00	-	0.500
1-1/2	2.43	2.12	-	0.860
2	2.96	2.50	-	1.330
2-1/2	3.31	2.87	-	2.290
3	4.00	3.18	-	3.310
4	5.06	3.68	-	5.370
6	7.39	4.10	-	13.44

Half Coupling


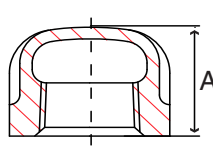
Size	Dimensions (in)			Weight (lb)
	A	B	C	
1/8	0.75	0.50	-	0.030
1/4	0.84	0.50	-	0.040
3/8	1.01	0.56	-	0.050
1/2	1.20	0.69	-	0.090
3/4	1.46	0.75	-	0.140
1	1.77	0.81	-	0.220
1-1/4	2.15	1.00	-	0.260
1-1/2	2.43	1.06	-	0.440
2	2.96	1.25	-	0.680
2-1/2	3.31	1.43	-	1.160
3	4.00	1.59	-	1.690
4	5.06	1.84	-	2.700
6	7.39	2.01	-	3.577

Reducing Coupling

Size	Dimensions (in)			Weight (lb)
	A	B	C	
1/8	0.75	1.00	-	0.060
1/4	0.84	1.00	-	0.100
3/8	1.01	1.12	-	0.130
1/2	1.20	1.38	-	0.220
3/4	1.46	1.50	-	0.330
1	1.77	1.62	-	0.530
1-1/4	2.15	2.00	-	0.650
1-1/2	2.43	2.12	-	1.110
2	2.96	2.50	-	1.730
2-1/2	3.31	3.25	-	2.980
3	4.00	3.68	-	4.300
4	5.06	4.38	-	6.980

Cap

Size	Dimensions (in)			Weight (lb)
	A	B	C	
1/8	0.75	0.68	-	0.050
1/4	0.84	0.68	-	0.080
3/8	1.01	0.81	-	0.100
1/2	1.20	0.93	-	0.150
3/4	1.46	1.06	-	0.280
1	1.77	1.31	-	0.500
1-1/4	2.15	1.62	-	0.690
1-1/2	2.43	1.62	-	0.910
2	2.96	1.75	-	1.290
2-1/2	3.31	2.00	-	2.360
3	4.00	2.25	-	3.670
4	5.06	2.50	-	5.590

All Dimensions are to the MSS Standard

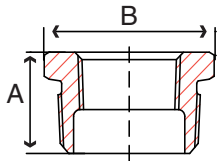
Threaded Fittings Class 150 conform to ASTM A351, ASME B1.20.1, MSS-SP-114 where applicable

SMITH-COOPER INTERNATIONAL® • TOLL FREE 1-800-766-0076 • FAX (323) 890-4456 • www.SmithCooper.com



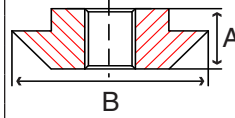
Stainless 150# Fittings Threaded

Hex Bushing



Size	Dimensions (in)		Weight (lb)
	A	B	
1/4 x 1/8	0.56	5/8	0.030
3/8 x 1/8	0.66	11/16	0.050
3/8 x 1/4	0.66	11/16	0.050
1/2 x 1/8	0.75	7/8	0.080
1/2 x 1/4	0.75	7/8	0.080
1/2 x 3/8	0.75	7/8	0.080
3/4 x 1/8	0.84	1-1/16	0.160
3/4 x 1/4	0.84	1-1/16	0.160
3/4 x 3/8	0.84	1-1/16	0.160
3/4 x 1/2	0.84	1-1/16	0.160
1 x 1/8	1.00	1-3/8	0.350
1 x 1/4	1.00	1-3/8	0.350
1 x 3/8	1.00	1-3/8	0.350
1 x 1/2	1.00	1-3/8	0.350
1 x 3/4	1.00	1-3/8	0.350
1-1/4x1/8	1.09	1-3/4	0.560
1-1/4x1/4	1.09	1-3/4	0.560
1-1/4x3/8	1.09	1-3/4	0.560
1-1/4x1/2	1.09	1-3/4	0.560
1-1/4x3/4	1.09	1-3/4	0.560
1-1/4x1	1.09	1-3/4	0.560
1-1/2x1/8	1.12	2	0.650
1-1/2x1/4	1.12	2	0.650
1-1/2x3/8	1.12	2	0.650
1-1/2x1/2	1.12	2	0.650
1-1/2x3/4	1.12	2	0.650
1-1/2x1	1.12	2	0.650
1-1/2x1-1/4	1.12	2	0.650
2x1/4	1.22	2-1/2	1.260
2x3/8	1.22	2-1/2	1.260
2x1/2	1.22	2-1/2	1.260
2x3/4	1.22	2-1/2	1.260
2x1	1.22	2-1/2	1.260
2x1-1/4	1.22	2-1/2	1.260
2x1-1/2	1.22	2-1/2	1.260
2-1/2x1/2	1.44	3	1.480
2-1/2x3/4	1.44	3	1.480
2-1/2x1	1.44	3	1.480
2-1/2x1-1/4	1.44	3	1.480
2-1/2x1-1/2	1.44	3	1.480
2-1/2x2	1.44	3	1.480
3x1/4	1.53	3-1/2	2.140
3x3/8	1.53	3-1/2	2.140
3x1/2	1.53	3-1/2	2.140
3x3/4	1.53	3-1/2	2.140
3x1	1.53	3-1/2	2.140
3x1-1/4	1.53	3-1/2	2.140
3x1-1/2	1.53	3-1/2	2.140
3x2	1.53	3-1/2	2.140
3x2-1/2	1.53	3-1/2	2.140
4x1	1.85	4-5/8	4.280
4x1-1/4	1.85	4-5/8	4.280
4x1-1/2	1.85	4-5/8	4.280
4x2	1.85	4-5/8	4.280
4x2-1/2	1.85	4-5/8	4.280
4x3	1.75	4-5/8	4.280

Weld Spud



Size	Dimensions (in)			Weight (lb)
	A	B	C	
1/8	0.421	1.375	-	0.026
1/4	0.500	1.500	-	0.055
3/8	0.500	1.625	-	0.066
1/2	0.594	1.750	-	0.154
3/4	0.656	1.937	-	0.176
1	0.781	2.187	-	0.253
1-1/4	0.750	2.687	-	0.370
1-1/2	0.875	3.000	-	0.451
2	0.937	3.500	-	0.661
2-1/2	1.000	4.062	-	1.102
3	1.000	4.625	-	1.322
4	1.125	5.815	-	2.645

All Dimensions are to the MSS Standard

Threaded Fittings Class 150 conform to ASTM A351, ASME B1.20.1, MSS-SP-114 where applicable



Stainless 150# Fittings Socket Weld

90° Elbow

Size	Dimensions (in)			Weight (lb)
	A	B	C	
1/2	1.12	-	-	0.330
3/4	1.31	-	-	0.530
1	1.50	-	-	0.880
1-1/4	1.75	-	-	1.320
1-1/2	1.93	-	-	1.640
2	2.25	-	-	2.250
2-1/2	2.68	-	-	4.380
3	3.06	-	-	6.380
4	3.81	-	-	10.30

45° Elbow

Size	Dimensions (in)			Weight (lb)
	A	B	C	
1/2	0.87	-	-	0.230
3/4	1.00	-	-	0.420
1	1.12	-	-	0.610
1-1/4	1.31	-	-	1.050
1-1/2	1.43	-	-	1.500
2	1.68	-	-	2.020
2-1/2	1.93	-	-	3.800
3	2.18	-	-	5.870
4	2.62	-	-	9.540

Tee

Size	Dimensions (in)			Weight (lb)
	A	B	C	
1/2	1.12	-	-	0.450
3/4	1.31	-	-	0.700
1	1.50	-	-	1.110
1-1/4	1.75	-	-	1.900
1-1/2	1.93	-	-	2.080
2	2.25	-	-	3.310
2-1/2	2.68	-	-	5.910
3	3.06	-	-	9.370
4	3.81	-	-	16.01

Union

Size	Dimensions (in)			Weight (lb)
	A	B	C	
1/2	1.72	1.45	-	0.360
3/4	1.94	1.71	-	0.560
1	2.06	2.07	-	0.900
1-1/4	2.26	2.50	-	1.350
1-1/2	2.41	2.82	-	2.050
2	2.75	3.41	-	3.050

Full Coupling

Size	Dimensions (in)			Weight (lb)
	A	B	C	
1/2	1.38	1.20	-	0.150
3/4	1.50	1.46	-	0.230
1	1.62	1.77	-	0.430
1-1/4	2.00	2.15	-	0.530
1-1/2	2.12	2.43	-	0.670
2	2.50	2.96	-	1.280
2-1/2	2.87	3.31	-	2.290
3	3.18	4.00	-	3.310
4	3.68	5.06	-	5.370

Reducing Coupling

Size	Dimensions (in)			Weight (lb)
	A	B	C	
1/2	1.38	1.20	-	0.190
3/4	1.50	1.46	-	0.290
1	1.62	1.77	-	0.560
1-1/4	2.00	2.15	-	0.690
1-1/2	2.12	2.43	-	0.870
2	2.50	2.96	-	1.660
2-1/2	2.87	3.31	-	2.970
3	3.18	4.00	-	4.300
4	3.68	5.06	-	6.980

All Dimensions are to the MSS Standard

Threaded Fittings Class 150 conform to ASTM A351, ASME B1.20.1, MSS-SP-114 where applicable

SMITH-COOPER INTERNATIONAL® • TOLL FREE 1-800-766-0076 • FAX (323) 890-4456 • www.SmithCooper.com



Stainless 150# Fittings Part Numbers

S30 1 4 E 002

Product Line	
S30	NPT INV Cast
S31	NPT INV Cast MSS
S32	NPT Domestic
S34	NPT Barstock
S36	Weld Spuds
S37	Cast MSS Socket Weld Fittings

Pressure	
1	150 #

Alloy	
4	304
6	316

Item Code	
E	90° Elbow
F	45° Elbow
T	Tee
X	Cross
C	Cap
U	Union
SE	Street 90° Elbow
CP	Coupling
RC	Reducing Coupling
HC	Half Coupling
HB	Hex Bushing
HP	Hex Head Plug
SP	Square Head Plug
WS	Weld Spud
IN	Insert

Size	
001	1/8"
002	1/4"
003	3/8"
004	1/2"
006	3/4"
010	1"
012	1-1/4"
014	1-1/2"
020	2"
024	2-1/2"
030	3"
040	4"
060	6"



150# Fittings

304 & 316
1/8" - 4"



Weld Fittings

304L & 316L Sch 10, 40 & 80
1/2" - 12"



Nipples

304L & 316L
SCH 40 WELDED & SCH 80 SEAMLESS
1/8" - 4" DIAMETER • CLOSE - ANY LENGTH



Pipe & Sanitary Tubing

Pipe, 304/304L & 316/316L
Sch 10, 40 & 80
Welded & Seamless 1/8" - 8"
Sanitary Tubing 1" - 4"



Flanges

304/304L & 316/316L
150# & 300# • 1/2" - 12"



3000# Forged Fittings

304L & 316L
THREADED & SOCKET WELD
1/8" - 4"



Belled-End Fittings

304L & 316L
1/2" - 2"



Valves

316/316L CAST AND FORGED
150#, 200#, 300#, 600#, 800#
BALL, GATE, GLOBE, & CHECK • 1/4" - 12"



Grooved Fittings

304L & 316L
Sch 10 & Sch 40
1-1/2" - 12"



Compression Fittings

316 STAINLESS
DOUBLE FERRULE

Instrumentation Tubing

304/304L & 316/316L
WELDED & SEAMLESS • 1/16" - 1"



Fabrication & Machining

FLANGED FITTINGS MADE TO ORDER
CUSTOM MACHINING OF FLANGES



Specialty Fittings

316 KING COMBO NIPPLES
WELD SPUDS
HEX NIPPLES

SMITH-COOPER®

INTERNATIONAL

2867 Vail Avenue, Commerce, CA 90040 Tel. (800) 766-0076 Local (323) 890-4455 Fax (323) 890-4456 www.smithcooper.com